

ZXL16-SQ

LED Area Accent · ZX16 Series



Product Features

- Area accent lighting for architectural and landscape application.
- ETL outdoor wet location listed. IP67 standard.
- Machined from solid billet 6061-T6 corrosion resistant aluminum.
- 90° vertical and 360° horizontal adjustment via unique swivel stem design.
- Modular components - field changeable LED module & beam spread reflectors.

Specification

Materials: Machined from billet 6061-T6 corrosion resistant aluminum with 304 stainless steel hardware. Available in 304/316 stainless steel or 360 brass upon request.

Glare Shield: 4 optional glare shields(GSL-long, GSA-angled GSS-short, BD-barn door) for additional glare control. See page 3 for details.

Voltage: 12V AC/DC. Requires remote step down transformer.

Wattage: 5, 7 or 10W HK LED.

Light Source: CRI 83. Available in CRI95 upon request. The chromaticity range is within a 3-step MacAdam Ellipse. Standard CCT options are 2700K, 3000K, 4000K.

Lamp Base/Socket: Innovative cone-shaped lamp base and receptacle socket maximize the surface contact area to dissipate heat more effectively. See "Resources" for details.

Dimmability: MLV or ELV.

Finish: Polyester powder coat on all aluminum materials with RoHS compliant procedures. Anodized finish is available. Stainless steel and brass models are provided with brushed surface.

Optical Accessories: Accepts up to 3 accessories (hexcel louver, optical lenses, dichroic color filters, etc.). Secured in place with metal snap ring.

Mounting Method: Mounts using 1/2"-14 NPS male fitting compatible with all HK Lighting Group mounting devices.

Ordering Guide

EXAMPLE: ZXL16-SQ - GSL - 12V - 7 - 27 - 20 - BK - LVR - MH02

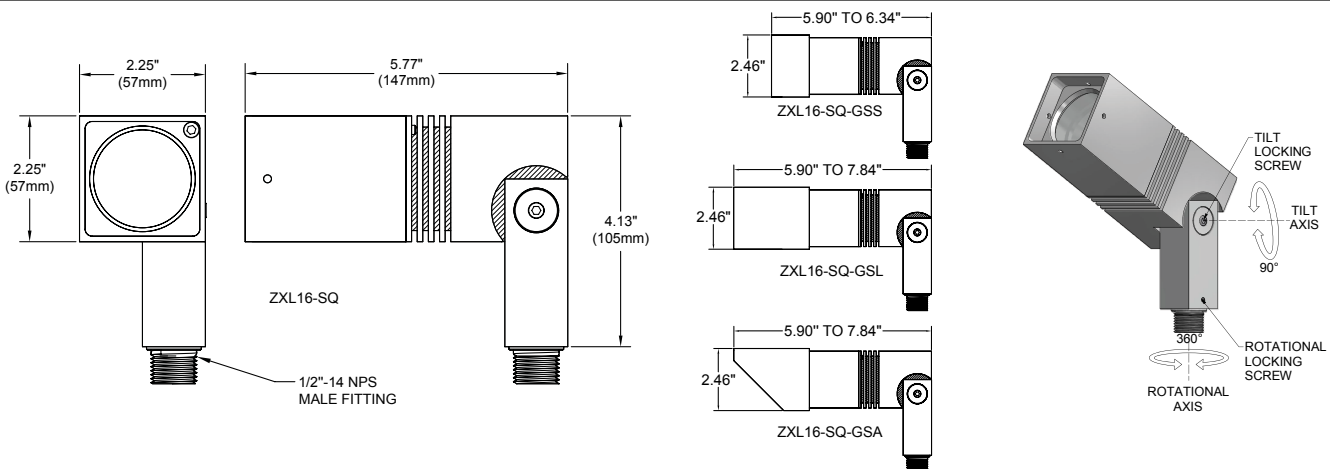
SERIES	MATERIAL	OPTIONAL GLARE SHIELD	VOLTAGE	WATTAGE	CCT	OPTICS	FINISH	OPTIONAL SELECT UP TO 3 OPTIC ACCESSORIES	OPTIONAL MOUNTING ACCESSORIES
ZXL16-SQ	-	-	12V	-	-	-	-	-	-
	BLANK Aluminum(Standard)	GSL		5 5W	27 2700K	20 20°	Standard	LVR Hexcel Louver	See page 3 for quick reference, or "Accessories" link for detailed specification.
	NBR Natural Brass	GSA		7 7W	30 3000K	33 33°	BK Black Powder Coat	OSL Overall Spread Lens	
	NSS Natural Stainless Steel	GSS		10 10W	40 4000K	44 44°	BZ Bronze Powder Coat	LSL Linear Spread Lens	
	CU Natural Copper	BD				57 57°	WT White Powder Coat	SOL Solite Soft Focus	
							Premium	DF Dichroic Filter	
							ABK Anodized Black		
							ACL Anodized Clear		
							CC Custom Powder Coat		

Remote Step Down Transformer for 12V fixture(Optional). See "Accessories" link for detailed specification.

Model	Wattage(VA)	Primary Voltage(VAC)	Secondary Volt(VAC)	Dimming Method	Characters
-	-	-	-	-	-
TXM	20 40 60 100 150 300	120 or 277	12	MLV	Outdoor, Wall Mount, Compact
TXS	150 300 600	120	Multi-tap of 12, 13, 14, 15 VAC	MLV	Outdoor, Wall mount, Stainless Steel Case
IGT	50(120V only) 100 300 600	120 or 277	12	MLV	in grade
TXE	60	120, 230, or 277	12	ELV	Needs Enclosure, 6ft working distance

Product Drawings

NOTE: Specification and dimensions subject to change without notice.

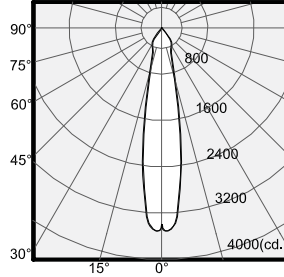


Photometry & Energy Data

MODEL ZXL16-SQ-10W-N

Input Power	9.5W
Color Temperature (CCT)	3000K
Color Rendering Index (Ra)	83
Beam Angle	20.5°
Max. Candlepower	3507cd
Delivered Lumens	864lm
Efficacy	91lm/W

Polar Graph - Intensity



Cone of Light - Illuminance

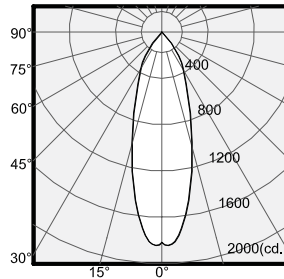
Center Beam (fc)	Beam Diameter	Distance
877	0.7'	2.0'
219	1.4'	4.0'
97	2.2'	6.0'
55	2.9'	8.0'
35	3.6'	10.0'

1/2 Beam Angle: 20.5°

MODEL ZXL16-SQ-10W-M

Input Power	9.5W
Color Temperature (CCT)	3000K
Color Rendering Index (Ra)	83
Beam Angle	32.5°
Max. Candlepower	1842cd
Delivered Lumen	863lm
Efficacy	91lm/W

Polar Graph - Intensity



Cone of Light - Illuminance

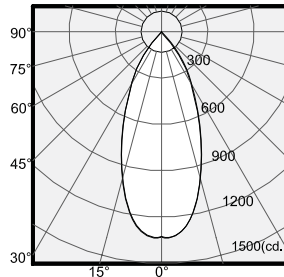
Center Beam (fc)	Beam Diameter	Distance
460	1.2'	2.0'
115	2.3'	4.0'
51	3.5'	6.0'
29	4.6'	8.0'
18	5.8'	10.0'

1/2 Beam Angle: 32.5°

MODEL ZXL16-SQ-10W-W

Input Power	9.5W
Color Temperature (CCT)	3000K
Color Rendering Index (Ra)	83
Beam Angle	44.1°
Max. Candlepower	1332cd
Delivered Lumen	850lm
Efficacy	89lm/W

Polar Graph - Intensity



Cone of Light - Illuminance

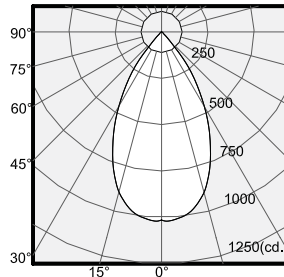
Center Beam (fc)	Beam Diameter	Distance
333	1.6'	2.0'
83	3.2'	4.0'
37	4.9'	6.0'
21	6.5'	8.0'
13	8.1'	10.0'

1/2 Beam Angle: 44.1°

MODEL ZXL16-SQ-10W-VW

Input Power	9.5W
Color Temperature (CCT)	3000K
Color Rendering Index (Ra)	83
Beam Angle	56.9°
Max. Candlepower	1019cd
Delivered Lumen	876lm
Efficacy	92lm/W

Polar Graph - Intensity



Cone of Light - Illuminance

Center Beam (fc)	Beam Diameter	Distance
255	2.3'	2.0'
64	4.6'	4.0'
28	6.9'	6.0'
16	9.2'	8.0'
10	11.5'	10.0'

1/2 Beam Angle: 56.9°

Wattage Multiplier Table

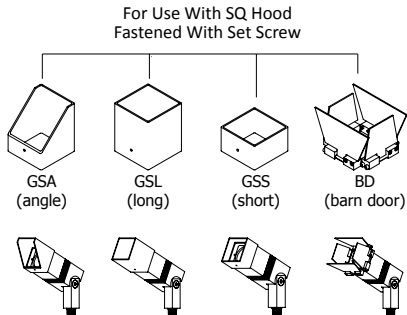
Wattage	Multiplier
5Watt	0.53
7Watt	0.77
10Watt	1.00

CCT Multiplier Table

Color Temp.	Multiplier
2700K	0.97
3000K	1.00
4000K	1.05

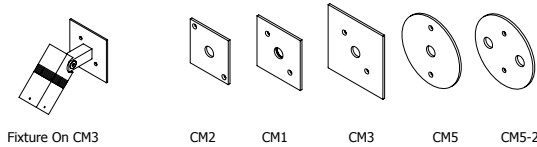
Product Options & Accessories

Optional Glare Shield

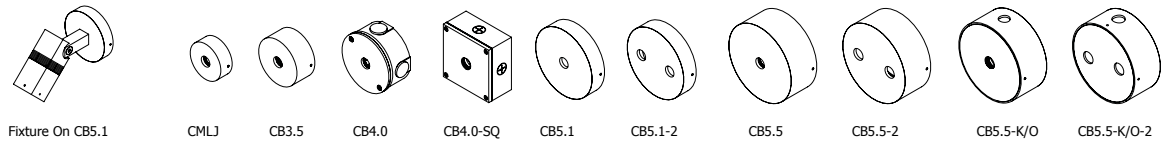


Mounting Accessories

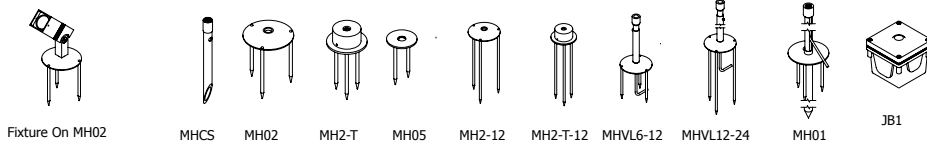
Canopy Plate:



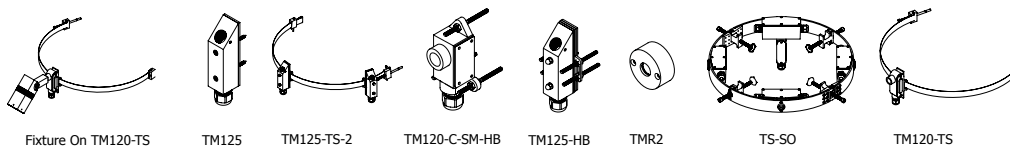
Surface Mount Box:



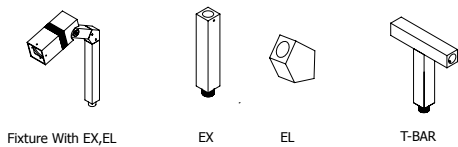
Ground Mount:



Tree Mount:



Extension:



Sign Light Arm: Please See The Sign Light Section

Notes