

# MHJB

Accessory . Spike MH Series

## Product Features

- Round-table-shape Stainless steel 3-prong stake.
- 6" or 12" prong length.
- Small brass ingrade j-box underneath for line voltage connection.
- Provides great stability.
- For line voltage installation.

## Specification

**Materials:** Spike assembly - 304 stainless steel, J-box - cast brass. 304 stainless steel hardware.

**Mounting:** Accepts all 1/2"-14 NPS male fitting.

**Finish:** Polyester powder coat with RoHS compliant procedures.



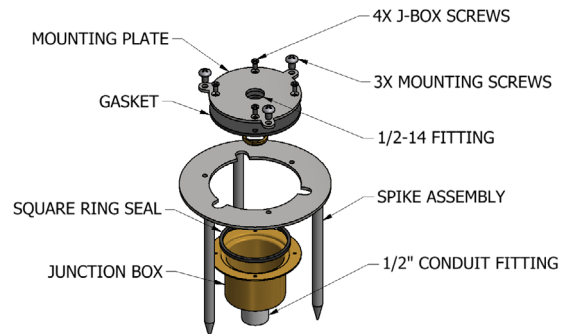
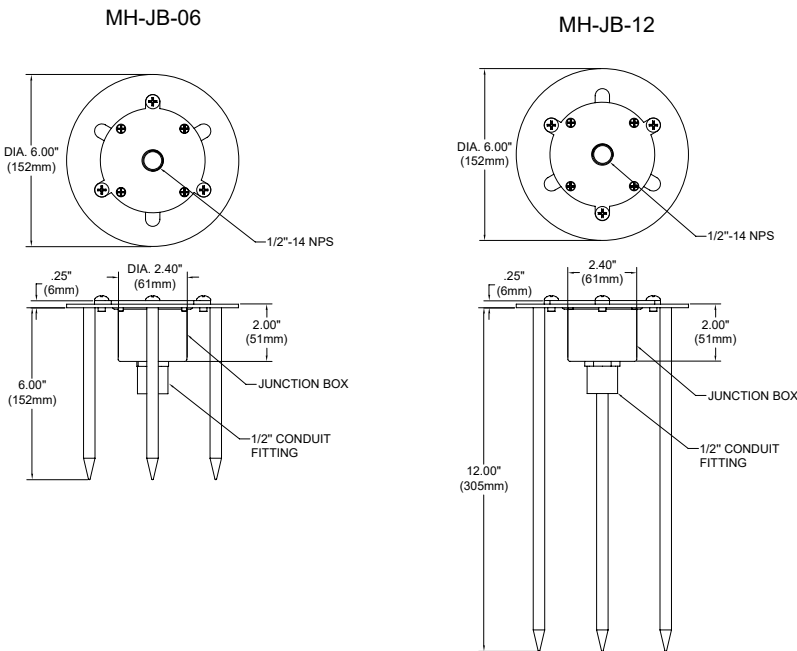
## Ordering Guide

EXAMPLE: MH - JB - 06 - BZ

SERIES	TYPE	PRONG LENGTH	FINISH
MH	JB	06	BZ BRONZE POWDER COAT
		12	BK BLACK POWDER COAT
			NSS NATURAL STAINLESS STEEL

## Product Drawings

NOTE: Specification and dimensions subject to change without notice.



MH-JB-06 shown